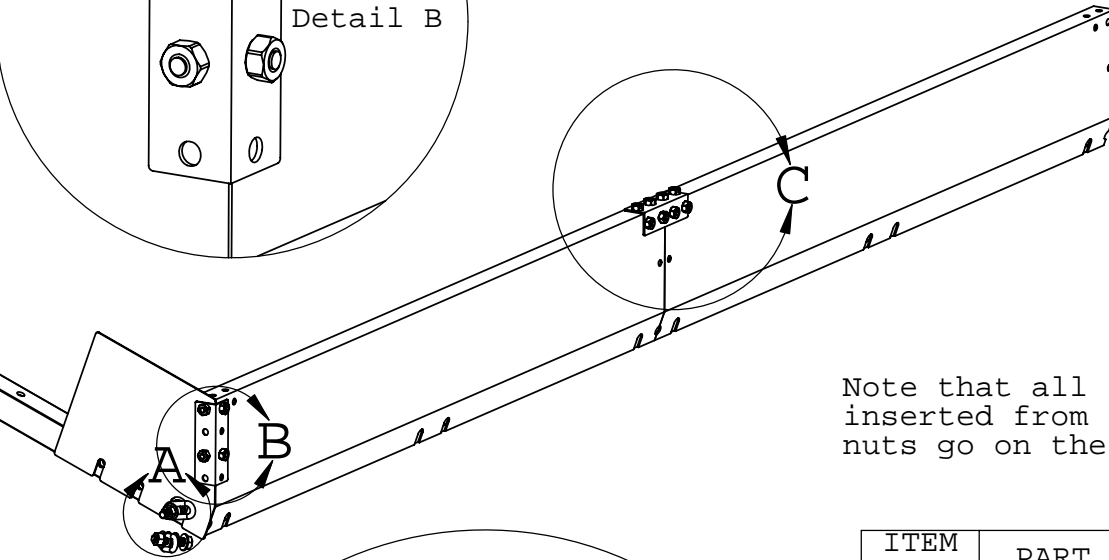
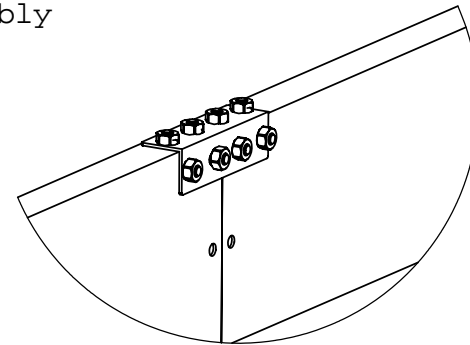
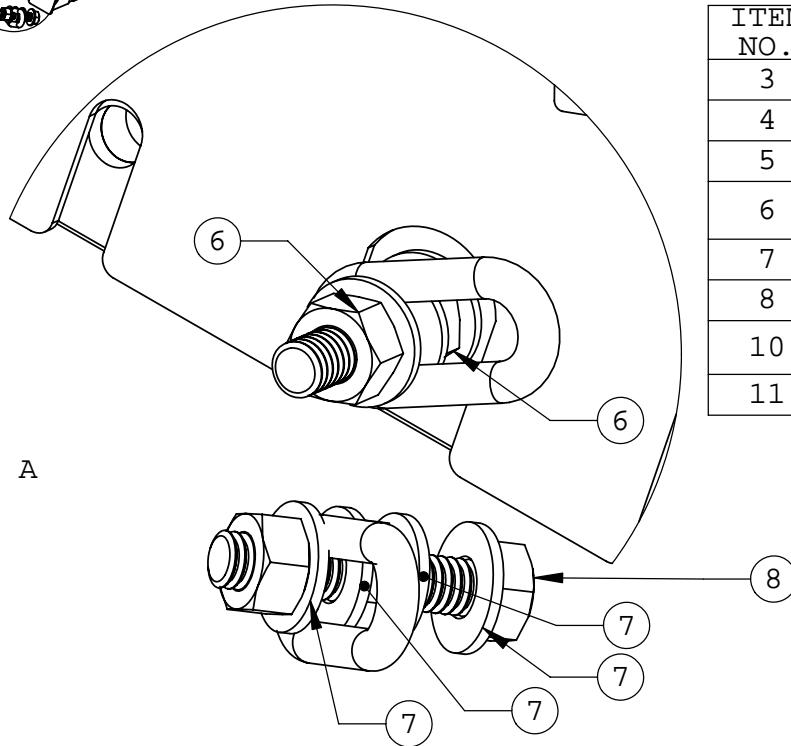


Drawing for Riser Plate Assembly  
See detailed instructions



Detail C

Note that all screws are inserted from the inside and nuts go on the outside.



Detail A

ITEM NO.	PART NUMBER	DESCRIPTION	QTY.
3	DGVPP36 Rev 3	PULLER PLATE	2
4	DGVSP8 REV 2	SIDE PLATE	2
5	DGVBKT4	Bracket	3
6	NN5	NUT 5/16 -18 Nylon Lock	4
7	WR5	WASHER 5/16	8
8	BT512	BOLT 5/16-18 X 1-1/2	2
10	SC403	LAGBLT:5/16-18 1-3/4FTH HX BRZ	16
11	NK4	NUT 1/4-20 Kep	16